

# Hour Meter Series HM 36

- Robust design with high degree of Accuracy and Compact size
- Frequency independent for AC applications
- Indicates operating time in hours and tenths with running indicators
- 6 Digit Non-Resettable with automatic recycle to zero
- Wide supply voltage range: 90 - 460V AC, 10 - 80V DC & 110 V DC
- Suitable for Control Panel applications



## Ordering Information

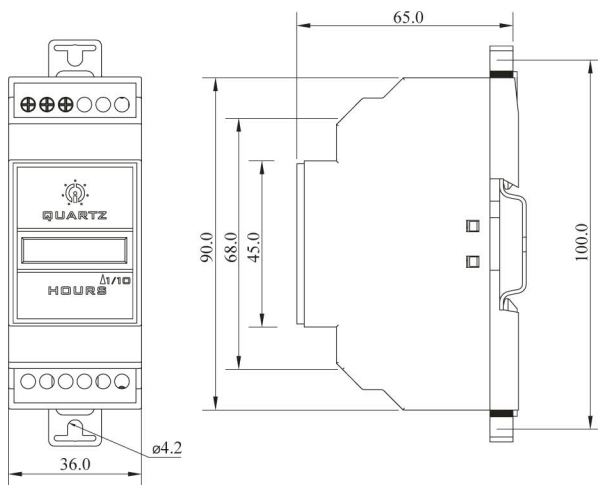
Cat. No.	Description
30A6B1	90 - 264 / 270 - 460 V AC, Hour Meter, Base/DIN
30A7B1	48 V AC, Hour Meter, Base/DIN
30D1B1	10 - 80 V DC, Hour Meter, Base/DIN
30D4B1	110 VDC, Hour Meter, Base/DIN
30C3B1	4 -36 VAC/DC, Hour Meter, Base/DIN

# Hour Meter Series HM 36





Cat. No.	30A6B1	30D1B1	30D4B1	30C3B1
<b>Parameters</b>				
Supply Voltage (Φ)	90 - 264 / 270 - 460 VAC	10 - 80 VDC	110 VDC	4-36 VAC/DC
Frequency	50/60 Hz	N A	N A	50/60 Hz
Over Voltage	N A	96 VDC, 1 min	96 VDC, 1 min	48 VDC, 1 min
Reverse Polarity Protection	N A	Yes	Yes	Yes
Power Consumption (Max.)	1 VA Max	0.25 VA	0.5 VA	1 Watt (Max)
Register	6 Digit (3.6mm)			
Read Out	99999.9			
Least Count	1/10 h			
Accuracy	± 0.02% over entire range			
Weight (unpacked)	70g			
Operating Temperature	-5° C to +55° C			
Storage Temperature	-20° C to +70° C			
Humidity (Non Condensing)	95% (Rh)			
Mounting	Base/DIN Rail			
Degree of Protection	IP 20 for Terminals, IP 40 for Enclosure			
Approvals				

## MOUNTING DIMENSIONS (mm)

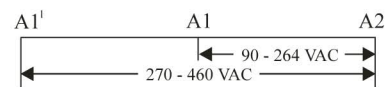


30A6B1, 30A7B1, 30D1B1, 30D4B1

## TERMINAL TORQUE & CAPACITY

 Ø 3.5...4.0 mm	Torque - 0.54 N.m (5 Lb.in) Terminal screw - M2.6
	Solid Wire - 1 X 0.2...3.3 mm <sup>2</sup>
AWG	1 X 24 to 12

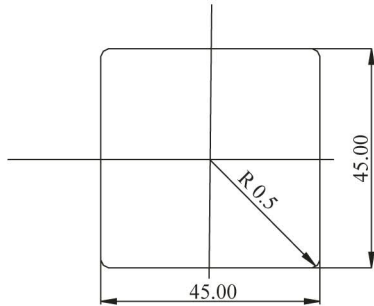
## CONNECTION DIAGRAM



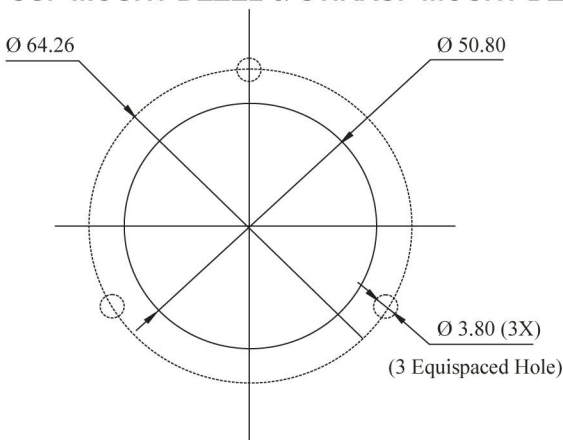
# Hour Meter Series HM 36

## MOUNTING DIMENSION (mm)

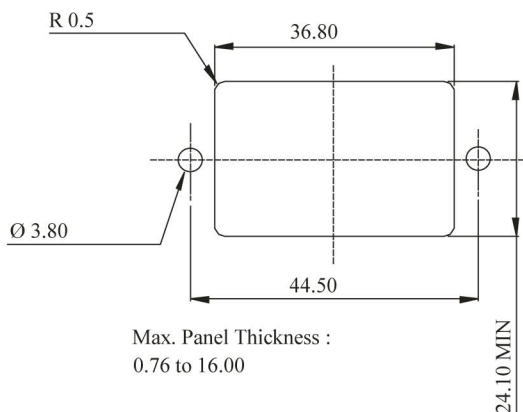
### SQUARE MOUNT BEZEL (45 X 45 PANEL CUTOUT)



### ROUND BEZEL, ROUND 3 HOLES BEZEL, CUP MOUNT BEZEL & STIRRUP MOUNT BEZEL

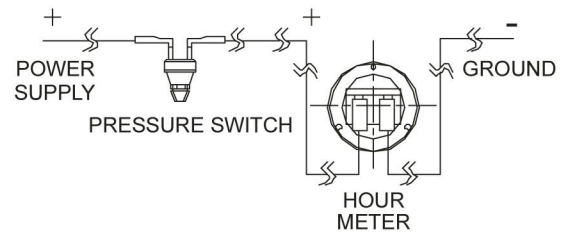
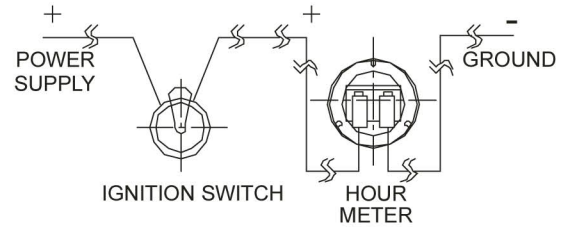


### RECTANGULAR BEZEL

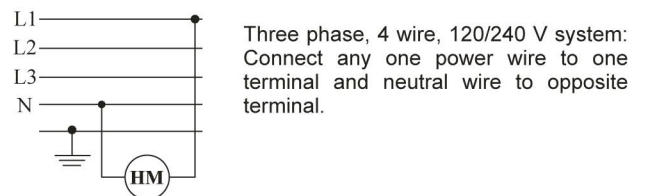
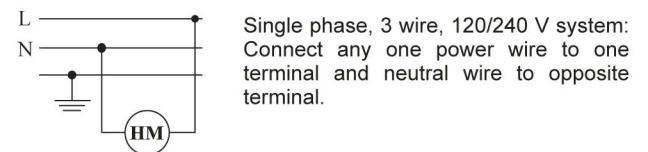
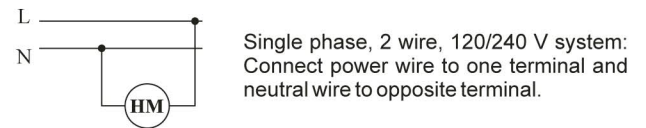


## CONNECTION DIAGRAM

### FOR: DC SERIES



### FOR: AC SERIES

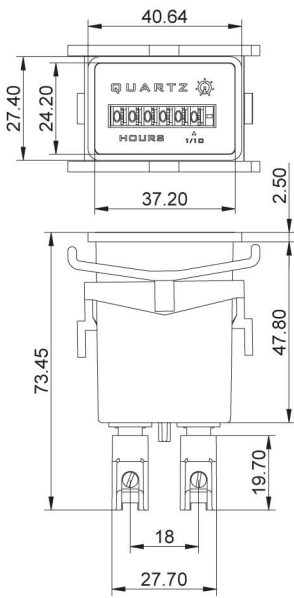


### CAUTION

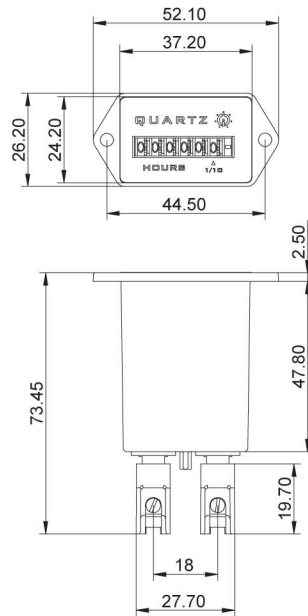
Tighten terminals with flat head screwdriver with tip size 4.3 x 0.6 mm.

# Hour Meter Series HM 36

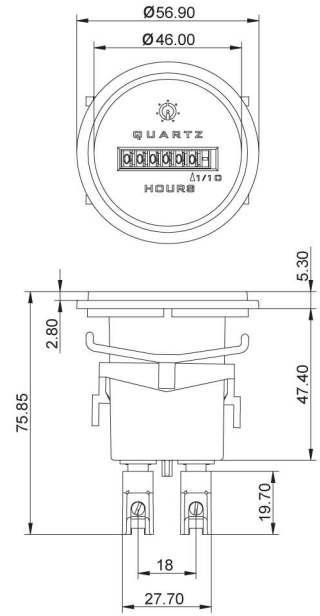
## VIEWS OF DIFFERENT BEZELS



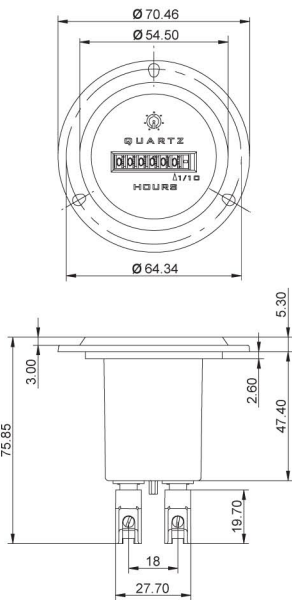
Rectangular Bezel



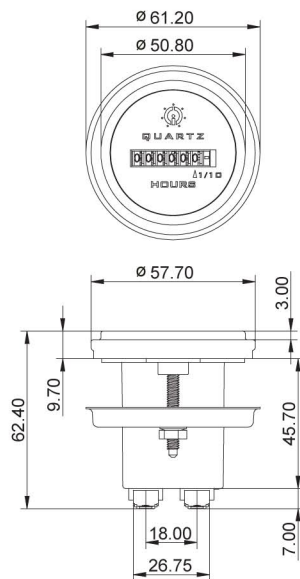
Rectangular 2 holes Bezel



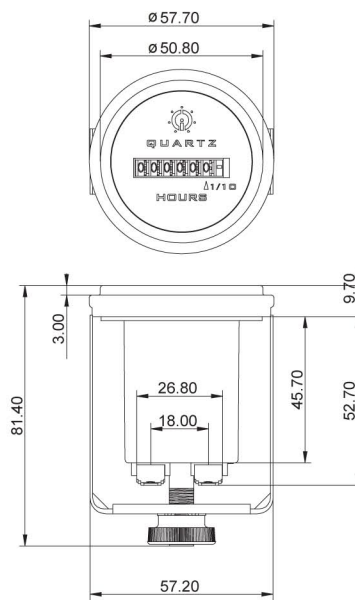
Round Bezel



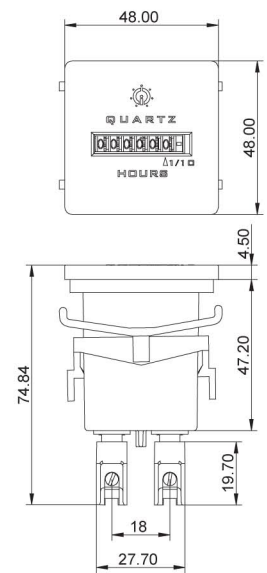
Round 3 holes Bezel



Cup Mount Bezel



Stirrup Mount Bezel



Square Bezel

Dimensions in mm